

Алматы (7273)495-231
Ангарск (3955)60-70-56
Архангельск (8182)63-90-72
Астрахань (8512)99-46-04
Барнаул (3852)73-04-60
Белгород (4722)40-23-64
Благовещенск (4162)22-76-07
Брянск (4832)59-03-52
Владивосток (423)249-28-31
Владикавказ (8672)28-90-48
Владимир (4922)49-43-18
Волгоград (844)278-03-48
Вологда (8172)26-41-59
Воронеж (473)204-51-73
Екатеринбург (343)384-55-89

Иваново (4932)77-34-06
Ижевск (3412)26-03-58
Иркутск (395)279-98-46
Казань (843)206-01-48
Калининград (4012)72-03-81
Калуга (4842)92-23-67
Кемерово (3842)65-04-62
Киров (8332)68-02-04
Коломна (4966)23-41-49
Кострома (4942)77-07-48
Краснодар (861)203-40-90
Красноярск (391)204-63-61
Курск (4712)77-13-04
Курган (3522)50-90-47
Липецк (4742)52-20-81

Магнитогорск (3519)55-03-13
Москва (495)268-04-70
Мурманск (8152)59-64-93
Набережные Челны (8552)20-53-41
Нижний Новгород (831)429-08-12
Новокузнецк (3843)20-46-81
Ноябрьск (3496)41-32-12
Новосибирск (383)227-86-73
Омск (3812)21-46-40
Орел (4862)44-53-42
Оренбург (3532)37-68-04
Пенза (8412)22-31-16
Петрозаводск (8142)55-98-37
Псков (8112)59-10-37
Пермь (342)205-81-47

Ростов-на-Дону (863)308-18-15
Рязань (4912)46-61-64
Самара (846)206-03-16
Санкт-Петербург (812)309-46-40
Саратов (845)249-38-78
Севастополь (8692)22-31-93
Саранск (8342)22-96-24
Симферополь (3652)67-13-56
Смоленск (4812)29-41-54
Сочи (862)225-72-31
Ставрополь (8652)20-65-13
Сургут (3462)77-98-35
Сыктывкар (8212)25-95-17
Тамбов (4752)50-40-97
Тверь (4822)63-31-35

Тольятти (8482)63-91-07
Томск (3822)98-41-53
Тула (4872)33-79-87
Тюмень (3452)66-21-18
Ульяновск (8422)24-23-59
Улан-Удэ (3012)59-97-51
Уфа (347)229-48-12
Хабаровск (4212)92-98-04
Чебоксары (8352)28-53-07
Челябинск (351)202-03-61
Череповец (8202)49-02-64
Чита (3022)38-34-83
Якутск (4112)23-90-97
Ярославль (4852)69-52-93

Россия +7(495)268-04-70

Казахстан +7(7172)727-132

Киргизия +996(312)96-26-47

<https://deighton.nt-rt.ru> || doa@nt-rt.ru



FORMATIC FOOD PORTIONING & FORMING MACHINES



- Accurate variable portion control
- Up to 12,000 single forms per hour
- Fully automatic
- Automatic paper application
- Multiple form shapes available
- Quick product change
- Adjustable thickness
- Full CE conformity

DEIGHTON
innovative food processing solutions



FORMATIC

The Formatic Range

By Deighton Manufacturing U.K. Limited, guarantees accurate forming and portioning of a wide variety of food mixtures and products, the needs of both high and low volume producers. The Formatic range is up to 5 times stronger than any of its direct competitors with a drive system rated at 250nm as opposed to 50nm this gives the Formatic a greater Durability, reliability and increased life.

SIMPLE AND SMOOTH OPERATION

Simplicity is the strength of the Formatic system.

Suited to a variety of mixtures of numerous textures and consistencies, the Formatic uses synchronised paddles to gently press mixture into the required form shape. The formed product is then smoothly ejected and released onto the conveyor with the help of the wire drum scraper, presenting it for packaging or additional processing.



Formatic D12000



Using the 180° technology developed by Deighton the D12000 can produce up to 12,000 burger patties per hour and with a triple form drum up to 36,000 nuggets portions per hour.

The D12000 is supplied as standard with an automatic wire cleaning system, and chilling system. Running at 3000 RPH the machine produces 4 patties – set of forms per revolution.

Because of the 180 technology developed by Deighton the structure of the product remains more consistent because the hopper is emptied 4 times faster than any conventional rotary forming system.

* Please refer to technical specification for detailed form dimensions.

R-Series Formatic

Formatic R1200, Formatic R2200, Formatic R4000

Formatic R1200/ 180, Formatic R2200/ 180, Formatic R4000/ 180



R Series machines have a capacity from 1200 portions/ forms (R1200) per hour and up to 8000 portions-forms per hour on the R4000/ 180 based on a single form drum.

The R-Series is ideal for low volume users or specialist producers and with the introduction of the R2200 and R4000 means that larger industrial and factory productions are easily achievable with this versatile and adaptable range.

The 180 systems doubles production with a set of forms cut every 180 degrees and because this then empties the hopper twice as quickly the product is worked much less so it is especially suitable for delicate products, fish, vegetarian, bakery, cheese, rosti and butter where it helps to maintain the original structure of the product.



The Formatic R-Series can achieve a single form shape of 120mm diameter, double form shapes of up to 55mm diameter and triple form shapes of up to 35mm diameter.



Formatic Drums



The Formatic drum provides the food processor with the flexibility to produce multiple product lines quickly and easily. In-house manufacturing skills enable Deighton Manufacturing U.K. Limited to tailor every drum to our customers' unique design requirements, and with the ability to produce virtually any two dimensional shape, the product possibilities offered by the Formatic are endless!

A combination of different drum surface finishes and paddle configuration ensure the Formatic's success in a host of food processing industries. Not only is the equipment ideal for producing Beef burgers, Chicken, Pork or Lamb burgers plus nuggets, fish produce and a range of vegetarian and ethnic food products i.e. Falafel, Aloo Tikki, Pakora and onion bhaji the Formatic has achieved equal success forming cookies, shortbread or novelty biscuits, Flapjack, health food bars and Xmas puddings in the bakery industry as well as Butter portions for the catering and ready meals industry.

The 180 Drum has a set of forms cut every 180 degrees doubling the capacity of the standard machine.

G-Series Formatic

Formatic C4000-C4000/ 180

The C series Formatic achieves larger form shapes than the R-Series and can form diameters of up to 130mm for single forms, 60mm for double forms and 40mm for triples forms. Built to the same high standard as the R-Series the G-Series offer the flexibility of greater shape size and quantity.



Optional Extras

Automatic Wire Cleaning

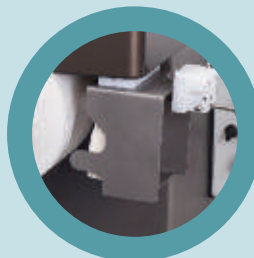
Automatically cleans the scraper wire after every product is formed which saves the operator from having to try and clean it manually; Must be connected to a compressed air supply of at least 4 bar, 0.12 cubic metres per minute.

IMPORTANT the scraper shaft must be lubricated at the start of the production when using this accessory. Recommended for larger capacity production and when the formatic is used in production line applications.



Auto Papering

Automatically applies paper to underside of formed product, easy to operate, easy to load, easy to adjust and easy to clean. Can take up to 5 inch paper (127mm) as standard.



Hoppers

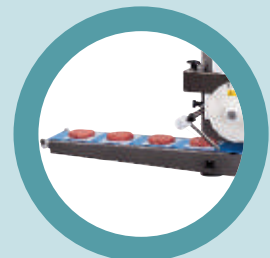
Different size Hoppers from 20L TO 200L FDA & USDA approved material, 3mm thick solid 304 food grade Stainless Steel, easy to remove easy to clean.



Extended Conveyors

Extended Conveyors also available.

* Please refer to technical specification for detailed form dimensions.



Form Shape Specifications



R-Series

Number of Shapes On Drum	Maximum Length	Maximum Width	Maximum Diameter	Maximum Thickness
1	140mm	120mm	120mm	24mm
2	120mm	55mm	55mm	24mm
3	110mm	35mm	35mm	24mm
4	140mm	20mm	20mm	24mm

G-Series - D12000

Number of Shapes On Drum	Maximum Length	Maximum Width	Maximum Diameter	Maximum Thickness
1	140mm	135mm	135mm	24mm
2	120mm	62mm	62mm	24mm
3	110mm	40mm	40mm	24mm
4	100mm	26mm	26mm	24mm

R-Series Deep Drop

Number of Shapes On Drum	Maximum Length	Maximum Width	Maximum Diameter	Maximum Thickness
1	110mm	120mm	120mm	34mm
2	90mm	55mm	55mm	34mm
3	80mm	35mm	35mm	28mm
4	70mm	20mm	20mm	28mm

G-Series Deep Drop

Number of Shapes On Drum	Maximum Length	Maximum Width	Maximum Diameter	Maximum Thickness
1	120mm	130mm	130mm	34mm
2	100mm	60mm	60mm	34mm
3	80mm	40mm	40mm	28mm
5	70mm	26mm	26mm	28mm

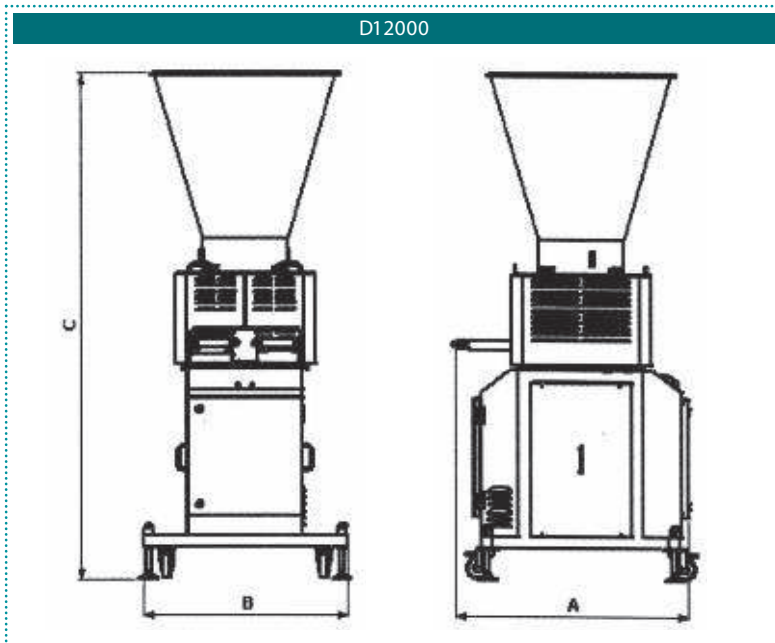
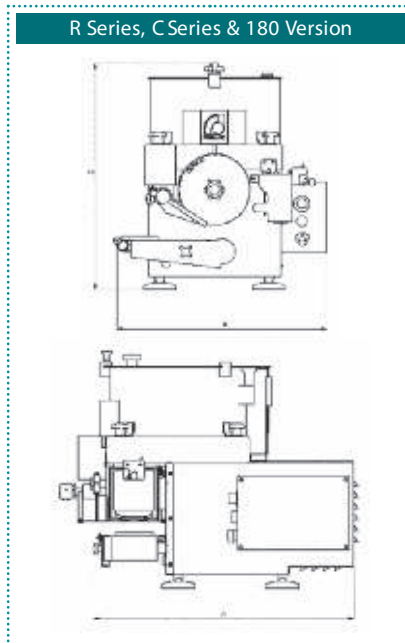


Technical Specification

All Formatic models are constructed from fully approved material on all food contact surfaces.

Each model is equipped with three safety interlock devices to ensure safe operation.

The hopper, form drum and conveyor are removable for easy cleaning.



MACHINE	Length (A)	Width (B)	Height (C)	Weight	Power	Electricity Supply	Hopper (Capacity)	Output (Approx)
R1200	700mm	600mm	640mm	90kg	550w	220/ 240v	20 Ltr	1200p/hr
R1200/ 180	780mm	600mm	640mm	95kg	750w	220/ 240v	20 Ltr	2400p/hr
R2200	700mm	600mm	640mm	90kg	550w	220/ 240v	20 Ltr	2200p/hr
R2200/ 180	780mm	600mm	640mm	95kg	750w	220/ 240v	20 Ltr	4400p/hr
R4000	780mm	600mm	640mm	100kg	1100w	220/ 240v	20 Ltr	4000p/hr
R4000/ 180	780mm	600mm	640mm	100kg	1100w	220/ 240v	20 Ltr	8000p/hr
C4000	780mm	795mm	710mm	110kg	1100w	220/ 240v	35 Ltr	4000p/hr
C4000/ 180	780mm	795mm	710mm	110kg	1100w	220/ 240v	35 Ltr	8000p/hr
D12000	1003mm	800mm	2145mm	220kg	1750w	220/ 240v	200 Ltr	12000p/hr

*Other voltages available on request i.e. 110/115v single phase - 380/410 3 phase. All machines 50-60Hz

Алматы (7273)495-231
Ангарск (3955)60-70-56
Архангельск (8182)63-90-72
Астрахань (8512)99-46-04
Барнаул (3852)73-04-60
Белгород (4722)40-23-64
Благовещенск (4162)22-76-07
Брянск (4832)59-03-52
Владивосток (423)249-28-31
Владикавказ (8672)28-90-48
Владимир (4922)49-43-18
Волгоград (844)278-03-48
Вологда (8172)26-41-59
Воронеж (473)204-51-73
Екатеринбург (343)384-55-89

Иваново (4932)77-34-06
Ижевск (3412)26-03-58
Иркутск (395)279-98-46
Казань (843)206-01-48
Калининград (4012)72-03-81
Калуга (4842)92-23-67
Кемерово (3842)65-04-62
Киров (8332)68-02-04
Коломна (4966)23-41-49
Кострома (4942)77-07-48
Краснодар (861)203-40-90
Красноярск (391)204-63-61
Курск (4712)77-13-04
Курган (3522)50-90-47
Липецк (4742)52-20-81

Магнитогорск (3519)55-03-13
Москва (495)268-04-70
Мурманск (8152)59-64-93
Набережные Челны (8552)20-53-41
Нижний Новгород (831)429-08-12
Новокузнецк (3843)20-46-81
Ноябрьск (3496)41-32-12
Новосибирск (383)227-86-73
Омск (3812)21-46-40
Орел (4862)44-53-42
Оренбург (3532)37-68-04
Пенза (8412)22-31-16
Петрозаводск (8142)55-98-37
Псков (8112)59-10-37
Пермь (342)205-81-47

Ростов-на-Дону (863)308-18-15
Рязань (4912)46-61-64
Самара (846)206-03-16
Санкт-Петербург (812)309-46-40
Саратов (845)249-38-78
Севастополь (8692)22-31-93
Саранск (8342)22-96-24
Симферополь (3652)67-13-56
Смоленск (4812)29-41-54
Сочи (862)225-72-31
Ставрополь (8652)20-65-13
Сургут (3462)77-98-35
Сыктывкар (8212)25-95-17
Тамбов (4752)50-40-97
Тверь (4822)63-31-35

Тольятти (8482)63-91-07
Томск (3822)98-41-53
Тула (4872)33-79-87
Тюмень (3452)66-21-18
Ульяновск (8422)24-23-59
Улан-Удэ (3012)59-97-51
Уфа (347)229-48-12
Хабаровск (4212)92-98-04
Чебоксары (8352)28-53-07
Челябинск (351)202-03-61
Череповец (8202)49-02-64
Чита (3022)38-34-83
Якутск (4112)23-90-97
Ярославль (4852)69-52-93

Россия +7(495)268-04-70

Казахстан +7(7172)727-132

Киргизия +996(312)96-26-47

<https://deighton.nt-rt.ru> || doa@nt-rt.ru